



Predictable, continuous and efficient power systems engineered for organizations with zero tolerance for downtime.



# CLEANSOURCE<sup>®</sup> UPS Single-Module Systems

battery-free energy storage

high reliability

60

Hz

97%

efficiency

130 - 300

kVA

300

600

900

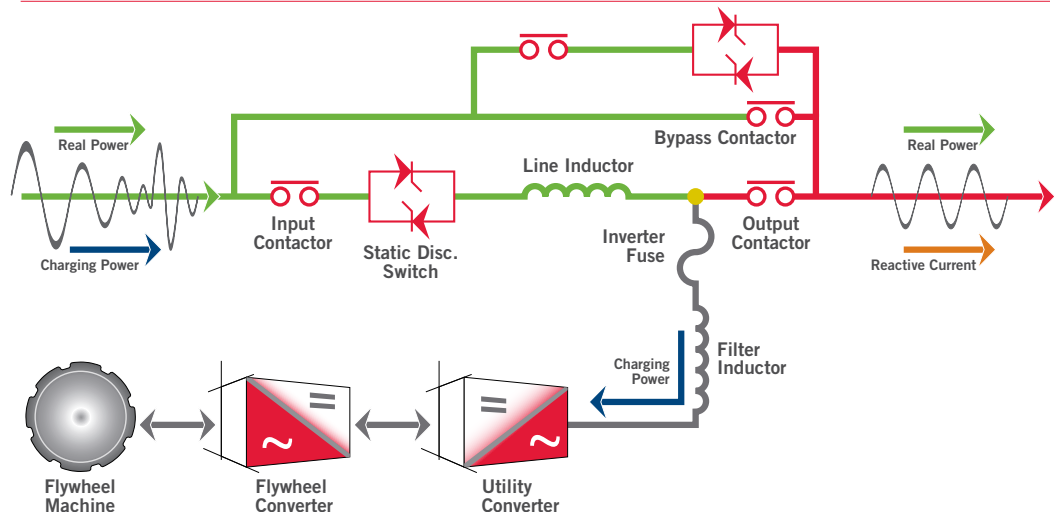
480

V

## SYSTEM FEATURES

- Rugged, on-line and fault-tolerant UPS
- Most efficient UPS architecture
- Handles multi-load characteristics
- Cost-effective lifecycle cost
- Predictable flywheel energy storage
- 20-year design life
- Low service and maintenance requirements
- Smallest available footprint
- Rapid recharge time
- Predictive failure analysis
- Wide operating temperature range
- Remote and local monitoring
- Quiet operation
- Simple and cost-effective installation
- Multi-vendor generator and switchgear compatibility
- Field-proven reliability
- No hazardous waste material

## PARALLEL ONLINE ARCHITECTURE



intelligently  
**EFFICIENT**

inherently  
**RELIABLE**

economically  
**GREEN**

**PRODUCT SPECIFICATIONS**

MODEL	UPS 130	UPS 150	UPS 300
<b>RATING</b>			
Maximum kVA	130	150	300
Maximum kW	130	120	240
<b>INPUT</b>			
Voltage <sup>1</sup>	480 VAC 3-phase, 3-wire plus ground		
Voltage Range	+10% / -15% (programmable)		
Frequency	60 Hz +/- 10% maximum (programmable) +/- 3% (default)		
Power Factor	0.99 at rated load and nominal voltage		
Harmonic Current Distortion			
Linear Load	<3% at 100% load		
Non-Linear Load <sup>2</sup>	<8% at 100% load		
Current - Nominal (480 VAC) <sup>3</sup>	165	152	299
Current - Max. Continuous <sup>3</sup>	200	200	400
Current - Max. Non-Continuous <sup>3</sup>	240	240	420
Surge Withstand	Meets IEEE 587/ANSI C62.41		
Walk-In	1 to 15 seconds (programmable)		
<b>OUTPUT</b>			
Voltage	480 VAC 3-phase, 3-wire plus ground		
Voltage regulation			
Steady state	+/-1% for +/-10% input		
Flywheel mode	+/-1% steady state		
Transient	+/-1% within 50 mSec for 100% load step		
Voltage distortion <sup>1</sup>	<2% linear loads and <5% for 100% non-linear loads		
Frequency	60Hz (mains synchronized) (normal operation +/- 0.2% free running)		
Slew Rate	Adjustable from 0.2Hz/second to 3.0Hz/second		
Current - Nominal (480 VAC)	157	181	361
Overload Capability-Mains Operation <sup>3</sup>	Continuous 105%	10 Min 125%	2 Min 150%
			30 Sec 200%
			10 mSec >200%
UPS Efficiency <sup>6</sup>	97%		98%
<b>Environmental</b>			
Audible Noise	<70 dBA 1 meter		
Temperature			
Operating	32 to 104° F 0 to 40° C		
Storage	-13 to 158° F -25 to 70° C		
Humidity	5% to 95% (non-condensing)		
Altitude <sup>4</sup>	Up to 3,000 feet Up to 914 meter		
Emissions and Immunity	FCC Class A, Subpart J of Part 15/ EN 50091-2		
Heat Rejection <sup>5</sup>			
kW	5.3	5.0	6.2
BTU/Hr	17,996	16,940	20,992
<b>PHYSICAL DATA</b>			
Height (w/o wireway or DC bus)	78.0 in 1,981 mm		
Width	58.6 in 1,488 mm		
Depth	34.0 in 865 mm		
Weight	4,585 lbs 2,200 kg		4,900 lbs 2,223 kg
Cable Entry	Top or Bottom		
Safety	UL 1778 Listed CUL CAN/CSA 22.2 No. 107.1 Listed		

<sup>1</sup> Optional 4-wire

<sup>2</sup> EN59001-3

<sup>3</sup> 130/150 overload capacity max 10mSec >150%

<sup>4</sup> Derate operating temperature for higher elevations

<sup>5</sup> DC energy storage online

<sup>6</sup> DC energy storage offline

**STANDARD RIDE-THROUGH TIMES (SECONDS)**

Load%	130	150	300
100%	25	27	14
75%	34	36	19
50%	49	52	28
25%	83	87	52

**FACTORY INSTALLED EQUIPMENT**

**Standard**

- IGBT-based UPS technology
- Flywheel energy storage
- Superior power conditioning
- High-speed voltage regulation
- Static bypass circuit
- User-friendly control panel
- Redundant cooling fans
- Redundant control power
- Power factor correction
- Intelligent self-diagnostics
- Serial connections
- Back-feed protection
- Harmonic cancellation

**Optional**

- Remote SNMP/MODBUS monitoring capability
- CSView™ – advanced real-time monitoring
- Remote status panel
- Seismic provision
- GenSTART™ Generator Start Power

**Americas Headquarters**

2128 W. Braker Lane, BK12 • Austin, Texas 78758-4028  
Tel: 877.BUY.ACPW • Fax: 512.836.4511  
sales@activepower.com

**EMEA • Active Power Solutions Ltd. (UK)**

Unit 4A • Lauriston Business Park • Pitchill • Evesham  
Worcestershire WR118SN • United Kingdom  
Tel: +44 1386 870 006 • Fax: +44 1386 870 806  
emea@activepower.com

