

## Features

- Easy-to-read 6-digit electro-mechanical display for diagnostics.
- Meter has built-in wireless transceiver for in-building remote meter data collection and can interface with E-Mon wireless gateways to automatically compile data in PC-based E-Mon metering software.
- Meters with built-in wireless transceivers can be mounted inside buildings within approximately 500 feet line-of-sight from each other and up to approximately 200 feet through walls, depending on wall material.
- Revenue grade accuracy.
- On-board memory.
- Meter can be used on the following configurations:
  - 1-Phase, 2-Wire
  - 2-Phase, 3-Wire
- 0-2 volt output split-core current sensors allow for safe and accurate remote mounting of current sensors up to 2,000 feet from meter without power interruption. (Optional solid-core sensors available.)
- Non-metallic enclosure is ideal for installation inside tenant and residential spaces.
- Wireless mesh network operates in the 915 MHz license-free band. No cellular wireless service contracts are required.
- Fully self-configuring wireless mesh network allows for easy installation and configuration with no network management required.
- FCC certified not to interfere with existing infrastructure.
- Meets national accuracy standards of ANCI C12.1 and C12.16.
- UL Listed. New York City approved, Con Edison approved for RSP program. Measurement Canada approved for revenue metering. California Bureau of Weights and Measures certified.



Dim: 7" H x 6" W x 2" D

## Model Numbers

120V, 1-Phase, 2W  
(Supplied with 1 split-core current sensor)  
2120100WT KIT (100 amp)  
2120200WT KIT (200 amp)

120/208-240V, 1- or 2-Phase, 3W  
(Supplied with 2 split-core current sensors)  
3208100WT KIT (100 amp)  
3208200WT KIT (200 amp)

## Additional Components

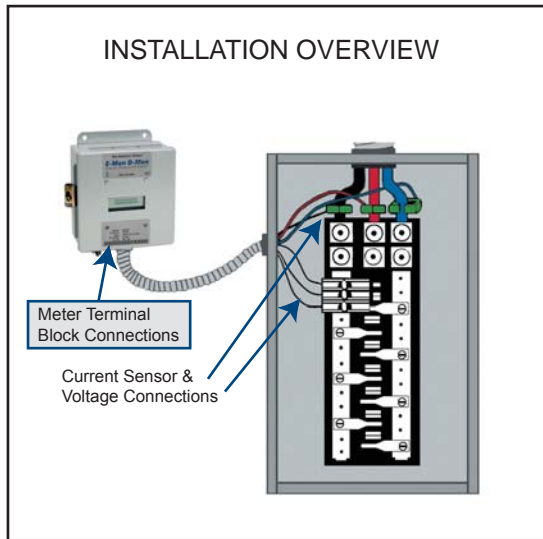
Wireless Gateway	WGATEWAY
Wireless Meter	
Reading Software	WRSOFT

# INSTALLATION OVERVIEW

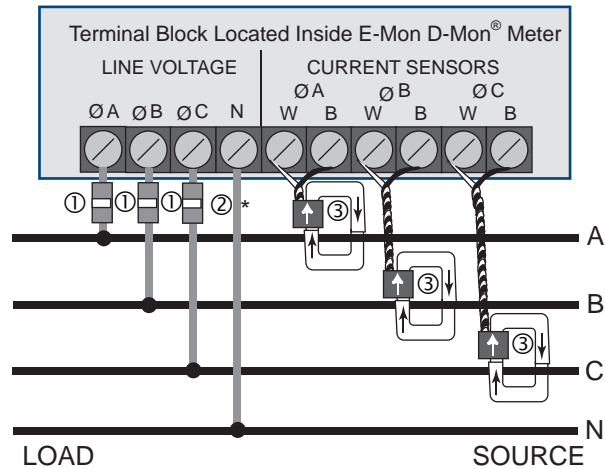
## CLASS 1000, 2000 and 3000 Meters

**E-Mon D-Mon**

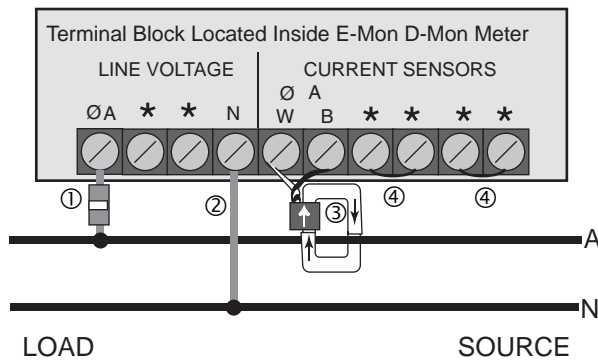
Energy Monitoring Products & Systems



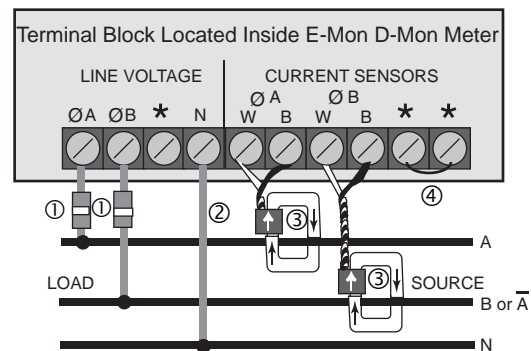
### 3-PHASE, 3-WIRE OR 3-PHASE, 4-WIRE INSTALLATION DIAGRAM



### 1-PHASE, 2-WIRE 120 or 277 VOLT INSTALLATION DIAGRAM (Class 1000 Series Only)



### SINGLE-PHASE, 3-WIRE 120/240, 120/208 or 480 VOLT INSTALLATION DIAGRAM



\* These terminals are not used in Class 1000 installations.

- ① Recommended fuses or circuit breaker per the National Electrical Code (Meter load 6VA.)
- \*② Neutral not required in delta system.
- ③ Split-core current sensors. Install according to instructions.
- ④ Install jumper.