

## Features

- Direct-read 8-digit LCD display without multiplier displays accumulative kWh and "real-time" kW load.
- User entered cost per KWH provides to-date energy cost and projected hourly cost based on metered load.
- Displays total carbon (CO<sub>2</sub>) emissions in pounds (lbs.) and indicates hourly emissions based on metered load.
- Utility Grade Metering Accuracy.
- 0-2 volt output split-core current sensors promote enhanced safety and allow remote mounting of current sensors up to 2000 feet from meter without power interruption. (Optional solid-core sensors available for 100 & 200 amp meters only.)
- Current sensor installation diagnostic indicator.
- Parallel up to three (3) sets of current sensors for cumulative reading.
- Meter can be used on the following configurations:
  - 3-Phase, 4-Wire
  - 3-Phase, 3-Wire
  - 2-Phase, 3-WireFor other configurations contact factory.
- Optional removable terminal block for pulse output.
- Industrial-grade JIC steel enclosure with padlocking hasp and mounting flanges for indoor installations with 1 1/16" KO (3/4" Cond.) on bottom of enclosure.
- Optional Enclosures:
  - MMU (Multiple-Meter Unit) Cabinets
  - NEMA 4X Raintight Enclosure
- Non-volatile Memory.
- UL Listed/CSA Approved.
- Certified to ANSI C12.1 and C12.16 electronic meter National Accuracy Standards.
- Certified to California metering standards bureau of weights and measures.
- New York City approved, Con Edison approved for RSP program.



Dimensions: 7 1/4" H x 7" W x 3 1/4" D

## Model Numbers

120/208-240V, 3-Phase, 4W  
240V, 3-Phase, 3W

G208100 KIT (100 amp)  
G208200 KIT (200 amp)  
G208400 KIT (400 amp)  
G208800 KIT (800 amp)  
G2081600 KIT (1600 amp)  
G2083200 KIT (3200 amp)

277/480V, 3-Phase, 4W  
480V, 3-Phase, 3W

G480100 KIT (100 amp)  
G480200 KIT (200 amp)  
G480400 KIT (400 amp)  
G480800 KIT (800 amp)  
G4801600 KIT (1600 amp)  
G4803200 KIT (3200 amp)

NOTE: All meter kits include one set of three (3) split-core current sensors

For MMU-style add suffix "M" to the model number.  
e.g., 4803200M KIT

For outdoor enclosure add suffix "R" to the model number. e.g., 208200R KIT

## Display Features

The E-Mon D-Mon Green Class meter offers a scrolling display of energy usage information:

Total Kilowatt-Hours  
consumed to date



Projected cost based  
on present load



Total energy cost to date



Total lbs. of CO2  
emissions to date



Present load in Kilowatts

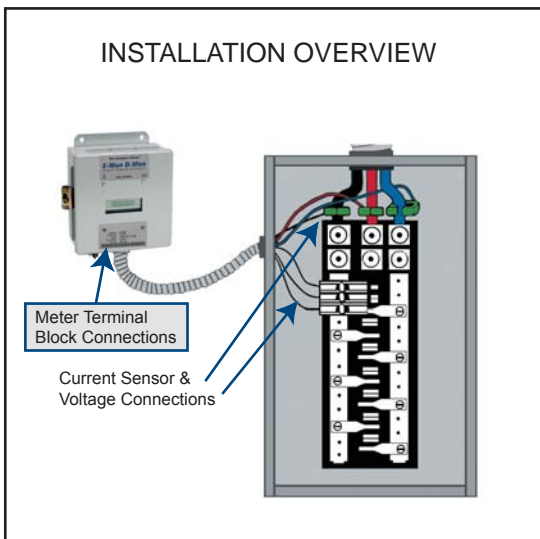


Projected hourly CO2 emissions  
based on present load

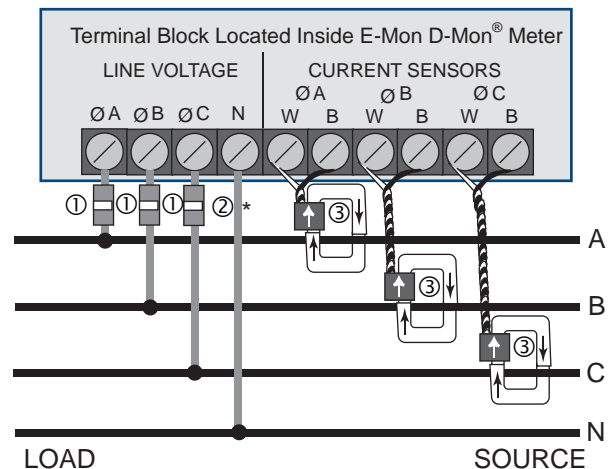


## Installation

### INSTALLATION OVERVIEW



### 3-PHASE, 3-WIRE OR 3-PHASE, 4-WIRE INSTALLATION DIAGRAM



① Recommended fuses or circuit breaker per the National Electrical Code (Meter load 6VA.)

\*② Neutral not required in delta system.

③ Split-core current sensors. Install according to instructions.

④ Install jumper