



Predictable, continuous and efficient power systems engineered for organizations with zero tolerance for downtime.



Multi-Module Systems 900-Frame **CLEANSOURCE[®] UPS**

battery-free energy storage

high reliability

60

98%

130 150
Hz efficiency

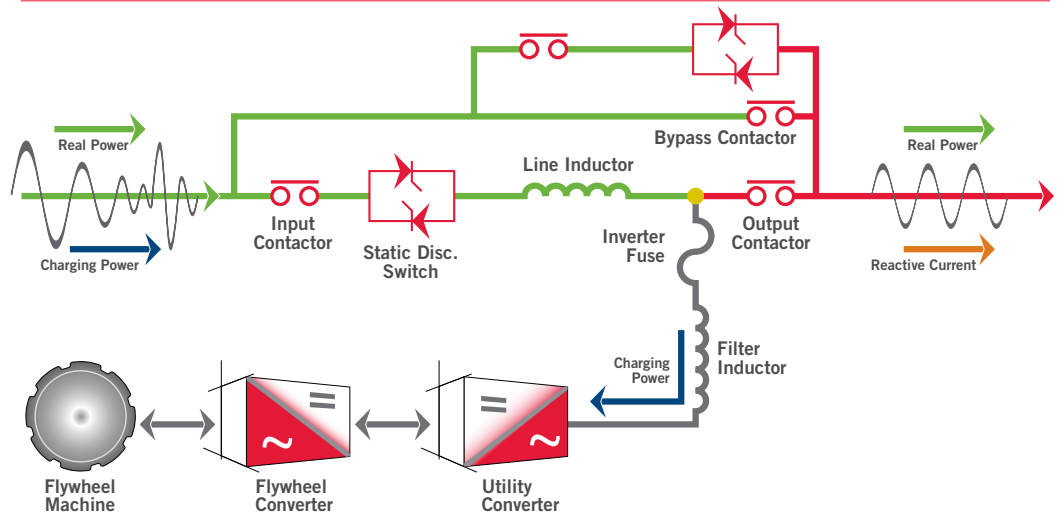
300 - 600 - 900
kVA

480
V

SYSTEM FEATURES

- Rugged, on-line and fault-tolerant UPS
- Most efficient UPS architecture
- Handles multi-load characteristics
- Cost-effective lifecycle cost
- Modular and redundant architecture
- Predictable flywheel energy storage
- 20-year design life
- Low service and maintenance requirements
- Smallest available footprint
- Rapid recharge time
- Predictive failure analysis
- Wide operating temperature range
- Remote and local monitoring
- Quiet operation
- Fault compartmentalization
- Simple and cost-effective installation
- Multi-vendor generator and switchgear compatibility
- Field-proven reliability
- No hazardous waste material

PARALLEL ONLINE ARCHITECTURE



intelligently
EFFICIENT

inherently
RELIABLE

economically
GREEN



STANDARD RIDE-THROUGH

Load%	Time
100%	14 seconds
75%	19 seconds
50%	28 seconds
25%	52 seconds

FACTORY INSTALLED EQUIPMENT

Standard

- IGBT-based UPS technology
- Flywheel energy storage
- Superior power conditioning
- High-speed voltage regulation
- High overload capacity
- Static bypass circuit
- User-friendly control panel
- Redundant cooling fans
- Redundant control power
- Power factor correction
- Intelligent self-diagnostics
- Serial connections
- Back-feed protection
- Harmonic cancellation

Optional

- Remote SNMP/MODBUS monitoring capability
- CSView™ – advanced real-time monitoring
- Remote status panel
- Seismic provisions
- Separate bypass input
- Redundant flywheel and UPS
- Upgrade capability from 300 to 900kVA n+1
- External synchronization input
- GenSTART™ Generator Start Power

PRODUCT SPECIFICATIONS

MODEL	UPS 300E	UPS 600	UPS 900		
RATING					
Maximum kVA	300	600	900		
Maximum kW	240	480	720		
INPUT					
Voltage ¹	480 VAC 3-phase, 3-wire plus ground				
Voltage Range	+10% / -15% (programmable)				
Frequency	60 Hz +/- 10% maximum (programmable) +/- 3% (default)				
Power Factor	0.99 at rated load and nominal voltage				
Harmonic Current Distortion					
Linear Load	<3% at 100% load				
Non-Linear Load ²	<8% at 100% load				
Current - Nominal (480 VAC) ⁵	299	599	898		
Current - Max. Continuous ⁵	400	800	1,200		
Current - Max. Non-Continuous ⁵	420	840	1,260		
Surge Withstand	Meets IEEE 587/ANSI C62.41				
Walk-In	1 to 15 seconds (programmable)				
OUTPUT					
Voltage ¹	480 VAC 3-phase, 3-wire plus ground				
Voltage regulation					
Steady state	+/-1% for +/-10% input				
Flywheel mode	+/-1% steady state				
Transient	+/-1% within 50 mSec for 100% load step				
Voltage distortion ²	<2% linear loads and <5% for 100% non-linear loads ²				
Frequency	60Hz (mains synchronized) (normal operation +/- 0.2% free running)				
Slew Rate	Adjustable from 0.2Hz/second to 3.0Hz/second				
Current - Nominal (480 VAC)	361	723	1,084		
Overload Capability-Mains Operation	Continuous Up to 105%	10 Min 125%	2 Min 150%	30 Sec 200%	10 mSec >200%
UPS Efficiency ⁵	97%		98%		
Environmental					
Audible Noise	<72 dBA at 1 meter		<75 dBA at 1m		
Temperature					
Operating	32 to 104° F 0 to 40° C				
Storage	-13 to 158° F -25 to 70° C				
Humidity	5% to 95% (non-condensing)				
Altitude ³	Up to 3,000 feet Up to 914 meter				
Emissions and Immunity	FCC Class A, Subpart J of Part 15/ EN 50091-2				
Heat Rejection⁵					
kW	6.2	12.3	18.4		
BTU/Hr	20,992	41,983	62,975		
PHYSICAL DATA					
Height (w/o wireway or DC bus)	96.0 in 2,438 mm	96.0 in 2,438 mm	96.0 in 2,438 mm		
Width	127.0 in 3,226 mm	170.0 in 4,318 mm	213.0 in 5,410 mm		
Depth	34.0 in 865 mm	34.0 in 865 mm	34.0 in 865 mm		
Weight	7,050 lbs 3,199 kg	11,550 lbs 5,241 kg	16,050 lbs 7,282 kg		
Cable Entry	Top or Bottom				
Safety	UL 1778 Listed CUL CAN/CSA 22.2 No. 107.1 Listed				

¹ Optional 4-wire
² EN59001-3
³ Derate operating temperature for higher elevations
⁴ DC energy storage offline
⁵ DC energy storage online

Americas Headquarters

2128 W. Braker Lane, BK12 • Austin, Texas 78758-4028
 Tel: 877.BUY.ACPW • Fax: 512.836.4511
 sales@activepower.com

EMEA • Active Power Solutions Ltd. (UK)

Unit 4A • Lauriston Business Park • Pitchill • Evesham
 Worcestershire WR118SN • United Kingdom
 Tel: +44 1386 870 006 • Fax: +44 1386 870 806
 emea@activepower.com

