

CurrentGuard™ 40



SYSTEM FEATURES

- Listed to UL 1449 3rd Edition for Type 1 SPD applications
- Innovative Z-Path System™ ensures equal current sharing, increased reliability and maximum performance
- Each mode protected by surge rated over-current fuse
- 200kAIC short circuit current rating allows direct bus connection without the need of an upstream over-current protection device
- Includes UL 1283 standard EMI/RFI filter
- All modes of protection (L-N, L-G, N-G & L-L)
- Standard monitoring includes Form C contacts and audible alarm with silence button
- DTS-2 compatible for “pro-active” testing
- Ultra compact steel NEMA 4 enclosure makes installation flexible
- 10-Year standard product warranty

MODEL NUMBER SCHEME

E.g. MODEL # CG 40 - 120/208-3GY

A B

A – SURGE RATING (Must Choose One)

40	40kA per mode
60	60kA per mode
80	80kA per mode
100	100kA per mode
150	1500kA per mode
200	200kA per mode

B – VOLTAGE (Must Choose One)

120/240-2G	120/240V, 1-Phase, 3-Wire + Ground
120/208-3GY	120/208V, 3-Phase WYE, 4-Wire + Ground
220/380-3GY	220/380V, 3-Phase WYE, 4-Wire + Ground
277/480-3GY	277/480V, 3-Phase WYE, 4-Wire + Ground
347/600-3GY	347/600V, 3-Phase WYE, 4-Wire + Ground
120/240-3GHD	120/240V, 3-Phase High-Leg DELTA, 4-Wire + Ground (B Phase must be 208V)
240-3DG	240V, 3-Phase DELTA, 3-Wire + Ground
380-3DG	380V, 3-Phase DELTA, 3-Wire + Ground
480-3DG	480V, 3-Phase DELTA, 3-Wire + Ground
600-3DG	600V, 3-Phase DELTA, 3-Wire + Ground

STAND-ALONE OPTIONS (To Be Ordered As A Separate Item)

DTS	DTS-2 Diagnostic Test Set
-----	---------------------------

PRODUCT SPECIFICATIONS

General Specifications

Maximum Surge Current Rating:	40kA per mode; 80kA per phase
Nominal Discharge Surge Current In:	10kA
Repetitive Surge Current Rating:	3,000 impulses per mode based on actual test data (using ANSI/IEEE C62.41.1-2002 C3 combo. wave)
Product Design:	Hybrid parallel design with individual UL 1283 EMI/RFI filter
Application:	ANSI/IEEE C62.41.1 Locations C, B & A Ideal for distribution panels, branch panels and critical loads
Regulatory Listing:	UL 1449 3 rd Edition Type 1 SPD; UL 1283
Standard Warranty:	10-Year

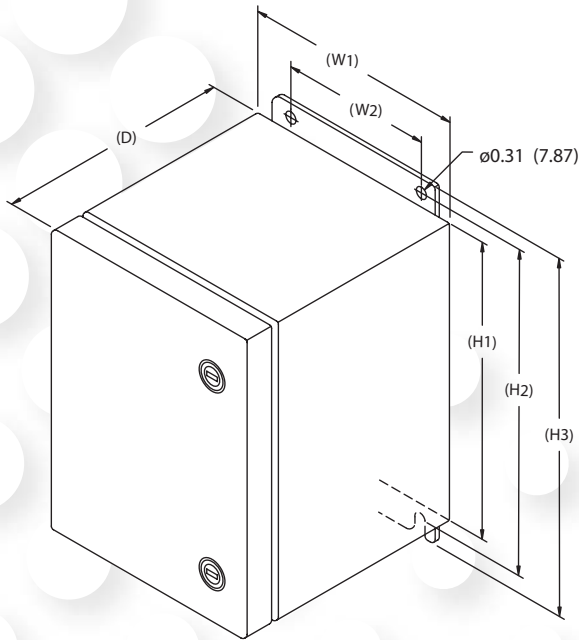
Electrical Specifications

Operating Frequency:	47-63 Hz
Connection Method:	Parallel to electrical distribution system
Modes of Protection:	Discrete protection (L-N, L-G, N-G, & L-L)
Fault Rating (SCCR):	200kAIC – no upstream over-current protection device (breaker or fuse) required
Response Time:	Less than 0.5 nanoseconds
Standard Monitoring:	Status indicator lights (one per phase) Service indicator light Form C contacts (NO/NC) Audible alarm with silence button

EMI / RFI Filter Attenuation – Mil Standard 220B

Up to 33 dB from 10 KHz to 100 MHz

CurrentGuard™ 40



DIMENSIONAL SPECIFICATIONS

Dim	CG40	
H1	8.00	(203.2)
H2	8.75	(222.3)
H3	9.50	(241.3)
W1	6.00	(152.4)
W2	4.00	(101.6)
D	6.20	(157.5)

All measurements in inches (mm)

MECHANICAL SPECIFICATIONS

Enclosure Type:	Powder coated, impact-resistance steel, weather-proof NEMA 4
Installation Location:	Indoor or outdoor
Dimensions:	8"H x 6"W x 6"D
Connection Method:	Pre-wired with 36 inches of #10AWG conductor
Mounting Method:	Dual mounting flanges
Operating Environment:	-40° C to +70° C (-40° F to +158° F) 5% - 95% non-condensing humidity
Weight:	20 lbs. (9.1 kg)

CURRENTGUARD 40 PERFORMANCE DATA

Model Number	CG40-120/240-2G CG40-120/208-3GY				CG40-220/380-3GY CG40-277/480-3GY				CG40-347/600-3GY				CG40-120/240-3GHD						CG40-240-3GD		CG40-380-3GD		CG40-480-3GD		CG40-600-3GD				
System Voltage	120/240V 120/208V				220/380V 277/480V				347/600V				120/240V						240V		380V 480V		600V						
Protection Mode	L-N	L-G	L-L	N-G	L-N	L-G	L-L	N-G	L-N	L-G	L-L	N-G	L-N	H-N	L-G	H-G	L-L	H-L	N-G	L-G	L-L	L-G	L-L	L-G	L-L	L-G	L-L		
MCOV	150	150	300	150	320	320	640	320	420	420	840	420	150	320	150	320	300	470	150	320	320	550	550	750	750				
B3 Ring Wave 6kV, 500A	405	470	605	322	640	759	960	721	715	829	1130	670	405	640	470	640	605	800	322	759	640	1050	860	1260	1070				
B3/C1 Combo Wave 6kV, 3kA	590	644	980	603	1040	1067	1890	961	1270	1329	2410	1242	590	1040	644	1067	980	1400	603	977	1040	1600	1870	2120	2440				
C3 Combo Wave 20kV, 10kA	970	1160	1430	1100	1660	1690	2570	1510	1820	1980	3120	1860	970	1660	1160	1690	1430	2050	1100	1540	1620	2280	2500	2880	3300				
UL 1449 3rd Edition 6kV, 3000A VPR	700	700	1000	700	1000	1000	1800	1000	1200	1200	2500	1800	700	1000	700	1000	1000	1500	700	1000	1000	1800	1800	2500	2500				

All CurrentGuard™ systems measured limited voltages are peak values (±10%) measured from the zero reference point and are in compliance with test and evaluation procedures outlined in NEMA LS1-1992 (R2000), paragraphs 2.210 and 3.10.

Specifications subject to change without notice, refer to www.currenttechnology.com for latest revision.



5900 Eastport Boulevard Richmond, VA 23231-4453 USA
TEL: 804.236.3300 800.238.5000 FAX: 804.236.4047